

PLAN VIEW OF FOOTPRINT

**NOTE:** DUE TO MANUFACTURING TOLERANCES, THERE MAY BE SOME SMALL DIFFERENCES BETWEEN THIS DRAWING AND YOUR SPA. IF SITE PLANNING IS CRITICAL TO ANY OF THE DIMENSIONS SHOWN PLEASE BE SURE TO MEASURE THE ACTUAL SPA.

- ELECTRICAL INPUT LOCATION**
- EQUIPMENT ACCESS REQUIRED**
- EQUIPMENT LOCATION ON SOME MODELS**

PROPRIETARY AND CONFIDENTIAL

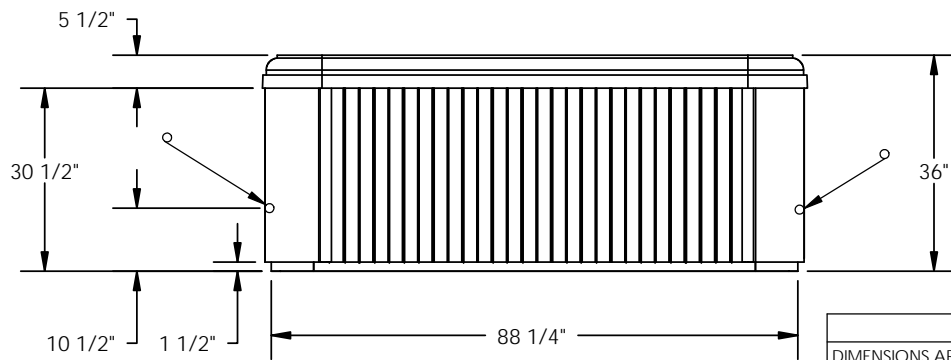
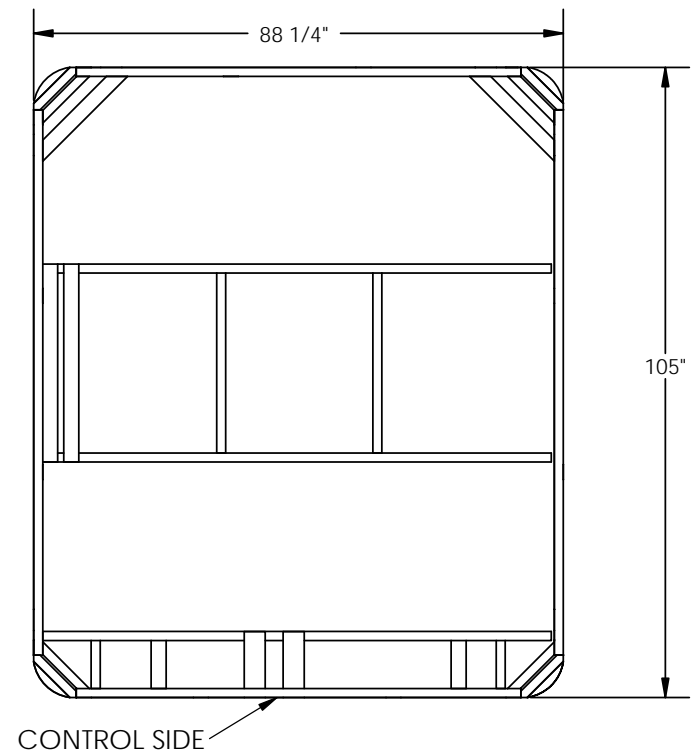
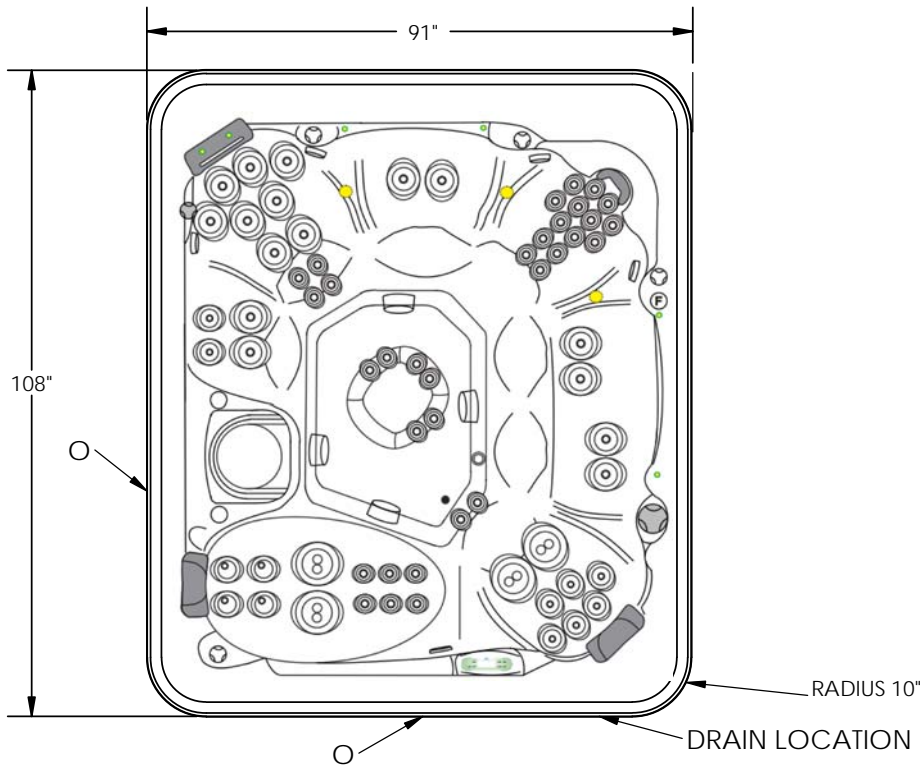
THE INFORMATION CONTAINED IN THIS DRAWING IS THE SOLE PROPERTY OF ARTESIAN SPAS. ANY REPRODUCTION IN PART OR AS A WHOLE WITHOUT THE WRITTEN PERMISSION OF ARTESIAN SPAS IS PROHIBITED.

UNLESS OTHERWISE SPECIFIED:	
DIMENSIONS ARE IN INCHES TOLERANCES: FRACTIONAL $\pm 1/4$ ANGULAR: MACH $\pm 1^\circ$	
INTERPRET GEOMETRIC TOLERANCING PER:	N/A
MATERIAL	N/A
FINISH	N/A
DO NOT SCALE DRAWING	

COMMENTS:



TITLE: <b>SOUTH SEAS SPAS 8XXB &amp; 8XXL</b>		
SIZE <b>A</b>	PART NO. <b>70-802X-XX</b>	REV <b>A</b>
SCALE: 1:32		SHEET 2 OF 2



PLAN VIEW OF FOOTPRINT

**NOTE:** DUE TO MANUFACTURING TOLERANCES, THERE MAY BE SOME SMALL DIFFERENCES BETWEEN THIS DRAWING AND YOUR SPA. IF SITE PLANNING IS CRITICAL TO ANY OF THE DIMENSIONS SHOWN PLEASE BE SURE TO MEASURE THE ACTUAL SPA.

- → ELECTRICAL INPUT LOCATION
- → EQUIPMENT ACCESS REQUIRED

PROPRIETARY AND CONFIDENTIAL

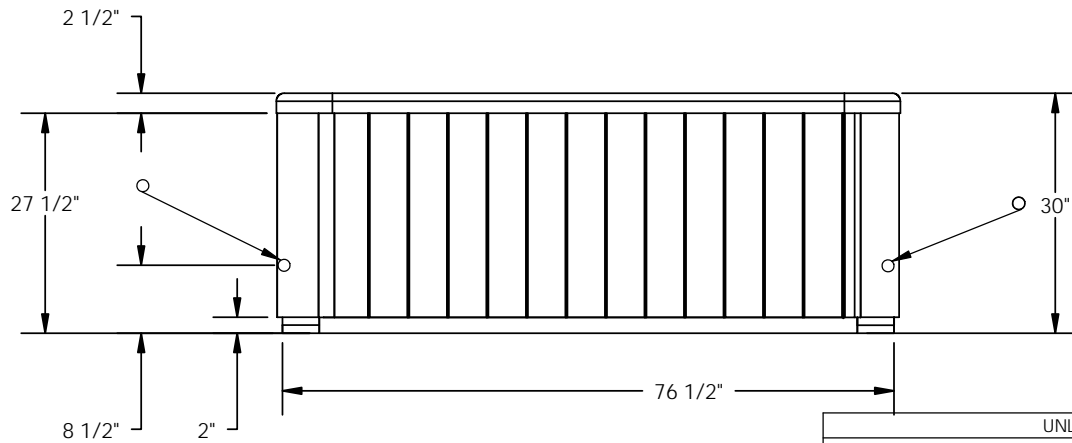
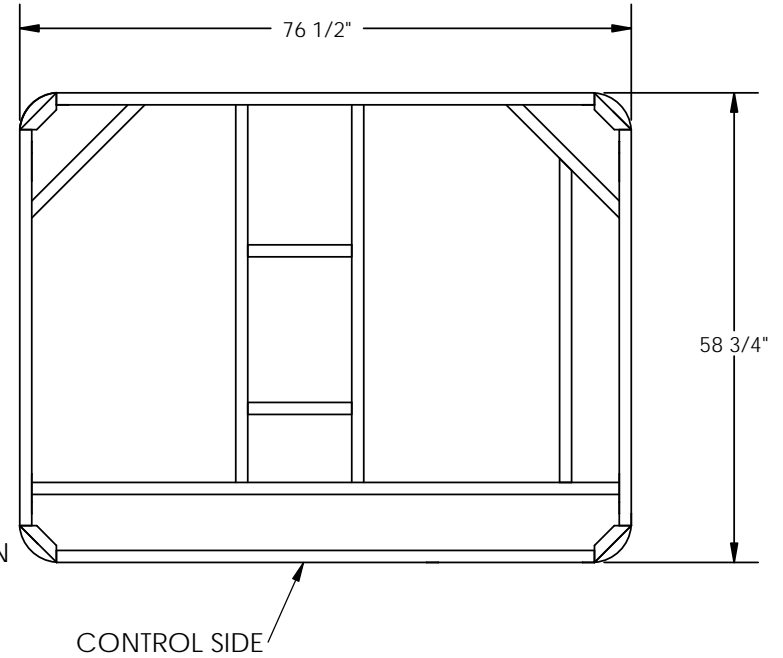
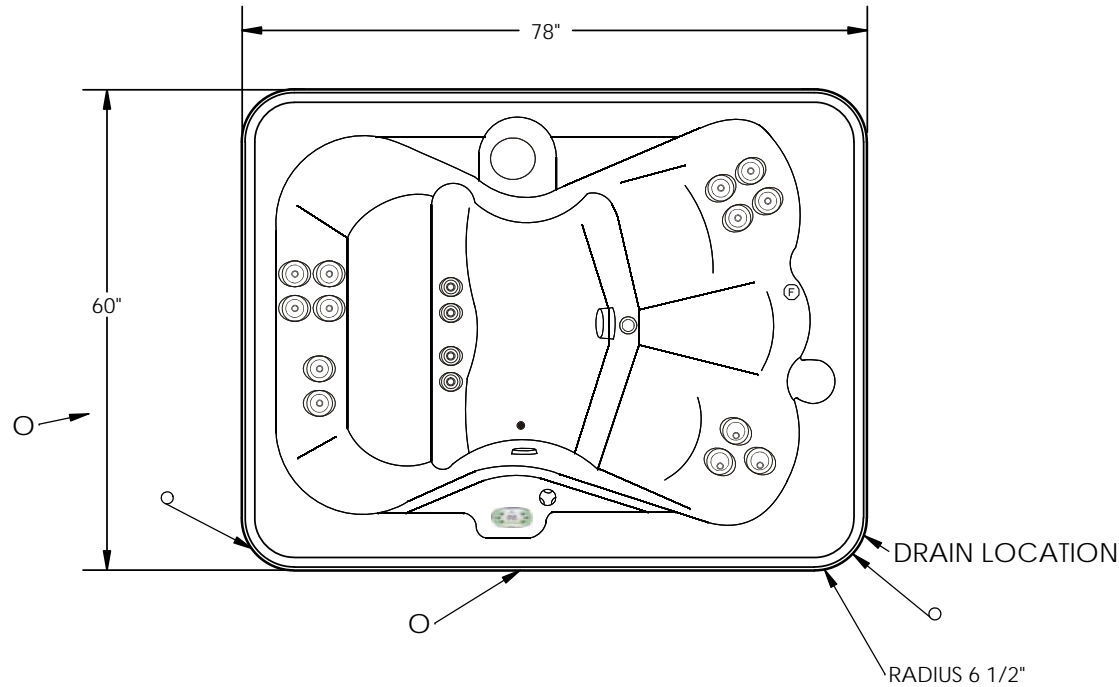
THE INFORMATION CONTAINED IN THIS DRAWING IS THE SOLE PROPERTY OF ARTESIAN SPAS. ANY REPRODUCTION IN PART OR AS A WHOLE WITHOUT THE WRITTEN PERMISSION OF ARTESIAN SPAS IS PROHIBITED.

UNLESS OTHERWISE SPECIFIED:	
DIMENSIONS ARE IN INCHES	
TOLERANCES:	
FRACTIONAL ± 1/4	
ANGULAR: MACH ± 1°	
INTERPRET GEOMETRIC TOLERANCING PER:	N/A
MATERIAL	N/A
FINISH	N/A
DO NOT SCALE DRAWING	

COMMENTS:





TITLE:		
<b>SOUTH SEAS SPAS 9XXL</b>		
SIZE	PART NO.	REV
<b>A</b>	<b>70-8025-01</b>	<b>A</b>
SCALE: 1:32		SHEET 2 OF 2



PLAN VIEW OF FOOTPRINT

**NOTE:** DUE TO MANUFACTURING TOLERANCES, THERE MAY BE SOME SMALL DIFFERENCES BETWEEN THIS DRAWING AND YOUR SPA. IF SITE PLANNING IS CRITICAL TO ANY OF THE DIMENSIONS SHOWN PLEASE BE SURE TO MEASURE THE ACTUAL SPA.

-  ELECTRICAL INPUT LOCATION
-  EQUIPMENT ACCESS REQUIRED

PROPRIETARY AND CONFIDENTIAL

THE INFORMATION CONTAINED IN THIS DRAWING IS THE SOLE PROPERTY OF ARTESIAN SPAS. ANY REPRODUCTION IN PART OR AS A WHOLE WITHOUT THE WRITTEN PERMISSION OF ARTESIAN SPAS IS PROHIBITED.

UNLESS OTHERWISE SPECIFIED:	
DIMENSIONS ARE IN INCHES TOLERANCES: FRACTIONAL ± 1/4 ANGULAR: MACH ± 1°	
INTERPRET GEOMETRIC TOLERANCING PER:	N/A
MATERIAL	N/A
FINISH	N/A
DO NOT SCALE DRAWING	



TITLE:		
<b>SOUTH SEAS SPAS 519P</b>		
SIZE	PART NO.	REV
<b>A</b>	<b>70-8027-01</b>	<b>A</b>
SCALE: 1:24		SHEET 2 OF 2











